

---

**LIGHT FOR THE MEDICAL WORKPLACE**  
TREATMENT AND EXAMINATION LUMINAIRES



reddot winner 2020



# LIGHT FOR THE MEDICAL WORKPLACE

4

**Worth knowing**  
About us  
About lighting

20

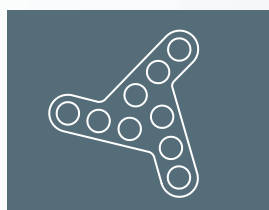
**Products**  
Overview

## TREATMENT LUMINAIRES

## EXAMINATION LUMINAIRES

26

**TRIANGO 100**



32

**TRIANGO 80**



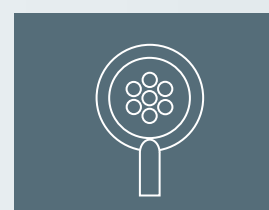
38

**VISIANO 20**



44

**VISIANO 10**



reddot winner 2020



reddot design award  
winner 2012



reddot award 2014  
winner

66

Accessories

## MAGNIFIER LUMINAIRES

46

HALUX N50



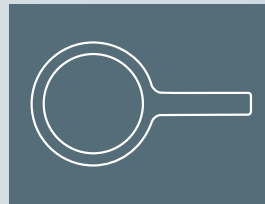
50

HALUX N30



56

OPTICLUX Hand



60

OPTICLUX



reddot award 2018  
winner

i-NOVO®  
AWARDS  
2017

# IN USE WORLDWIDE



Cedars-Sinai Medical Center,  
Los Angeles, **USA**

Ohio State University College  
of Dentistry, Ohio, **USA**

Polyclinic Caja de Salud Cordes, Cochabamba,  
**Bolivia**

Great Ormond Street Hospital,  
London, **United Kingdom**

St. Marien-Hospital, Cologne,  
**Germany**

Ichilov Hospital, Tel Aviv,  
**Israel**

## **Innovation and premium quality.**

Our designers and engineers blaze new trails while keeping proven technologies in mind. We develop light that helps people in their everyday lives and meets their needs — all over the world.



# Waldmann **W**

ENGINEERS OF LIGHT



Aleris Klinik, Oslo,  
**Norway**

Danderyds sjukhus Hospital, Stockholm,  
**Sweden**

Private ENT clinic, Wroclaw,  
**Poland**

Aga Khan University Hospital, Karachi,  
**Pakistan**

IIUM Medical Center,  
Kuantang Bahang,  
**Malaysia**

Ripas Hospital,  
Bandar Seri Begawan,  
**Brunei**

Lutetia Clinic, Dubai,  
**United Arab Emirates**

Changi General Hospital,  
**Singapore**

Royal Children's Hospital,  
Melbourne, **Australia**





MADE IN SWITZERLAND



# Derungs

MEDICAL LIGHTING



i-NOVO<sup>®</sup>  
AWARDS  
2017



reddot winner



suitable for  
Laboratories, medical  
practices, clinics, etc.

**APPROVED  
MEDICAL DEVICE**

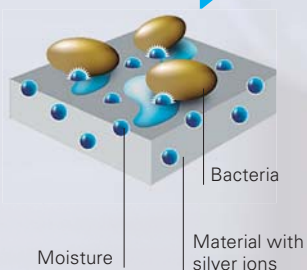
compliant with  
EN 60601-1



# CLEANING AND STERILIZATION



**BY REQUEST:  
BACTERIA REDUCTION  
WITH SILVER IONS**



Moisture

Material with  
silver ions



[www.sanitized.com](http://www.sanitized.com)

Silver ions destabilize the cell membrane of microbes and bacteria

#### **Hygiene in focus.**

When developing new luminaires, our engineers pay attention not only to ergonomic comfort but also to the fact that the luminaires are easy to clean in everyday use.

#### **Cleanliness through closed housing.**

The closed design reduces the penetration of liquid and dust and makes cleaning surfaces noticeably easier. The removable handles of the treatment luminaires TRIANGO 100 and TRIANGO 80 can be removed with one hand and can thus be optimally sterilized.

#### **Active dirt resistance with antimicrobial hygiene function.**

The examination lamp VISIANO 20 is equipped with an antimicrobial Sanitized® hygiene function. The biocidal agent is integrated in critical areas, such as the luminaire top housing. Tests have shown that 99% of bacteria and microbes could be destroyed.



# FATIGUE-FREE WORK



## **Light enlivens tired eyes**

Bad lighting conditions put a strain on our eyes. Headaches, burning eyes and reduced performance can be the result. A homogeneous, glare-free light field relieves noticeably and promotes efficiency. A well thought-out lighting concept should therefore include not only general lighting but also the lights of a medical workplace. The luminaire is very often in use therefore it is important that it reliably supports everyday use and maximizes visual comfort.

## **Best light conditions**

Illuminance, light color temperature and color rendering are optimally matched to the versatile everyday clinical and practice routine. Specially developed optics ensure a homogeneously illuminated work area. Derungs medical lights achieve very good color rendering properties and facilitate diagnosis and treatment. In addition, the Illuminance can be dimmed.





# ALWAYS THERE FOR YOU



## **At a glance**

With the QR Codes and Short links you can now find the complete information package quickly and easily:

from tender text and lighting technology to ordering data.

On our website, the detailed specifications of the products are always up to date and always ready to hand.



## **Product consulting and sampling**

Waldmann's international subsidiaries and dealers work with you to develop an effective lighting concept to suit your needs – from room lighting to individual workstation lighting. Try our medical luminaires with no obligation and see why they're better.



## **Technical service & maintenance**

We help with light planning, implementation and maintenance. In the operating instructions, you will find important notes on installation and care. If you need repairs or replacement parts, you have access to our international service network.

### **Service, support and partnership.**

We not only aim to develop optimal products, but we want to be your optimal partner. That's why we are glad to assist you in all phases of your project, and in all matters of planning, installation and maintenance of our products.



#### **Training**

Operating our luminaires is generally intuitive, but light management systems often require training to achieve their full energy savings potential. We prepare facilities managers and service technicians, so that our users can benefit from the best possible work conditions.



#### **Logistics & ordering**

If you would like to know more about the product you are interested in or want a quote, your specialized dealer or our lighting consultant can answer your questions. Business customers from Germany, Austria and Switzerland can also order the luminaires directly from the Waldmann web shop.



#### **Downloads & software**

Download technical data sheets, product brochures and CAD/BIM data. Those who like to learn about products through brief videos will find various movies on the website and on the Waldmann or Derungs channel on YouTube.



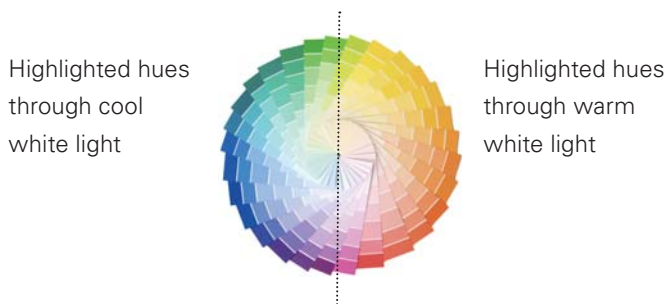


# COLOR RENDERING

**Color rendering**

The color impression of a lighted object depends on the spectral composition of the light:

- Cool white light emphasizes blue, violet and green tones.
- Warm white light brings forward red, yellow and orange tones.



**What is the Ra color rendering index?**

The Ra color rendering index (CRI) is for evaluating artificial light sources. This index indicates how true to nature the colors are under a given light source compared to the color rendering under natural light.

The highest Ra value is 100. Ra 100 indicates that all of an object's colors can be recognized as under optimal daylight: They appear "natural" to the viewer. The more the Ra color rendering index diverges from 100, the worse the colors on the lighted object are reproduced.

Ra is the index made up of R1–R8



**How is the Ra value determined?**

To determine the Ra value of a light source, eight common test colors are generally illuminated, each with a reference light source and the light source to be tested. The smaller the divergence between the reference light source and the light source to be tested, the better the tested light source's color rendering properties.

- Test color R9, especially important for differentiating various red tones in tissue and blood
- Test color R13 is the "flesh color", important for better recognition of veins and blood vessels

WOOD'S LIGHT.





### OPTICLUX 10 with wood's light.

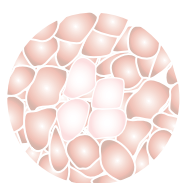
The special model or version for dermatologists, veterinarians and forensic medicine combines two lighting modes in one device: daylight white illumination and wood's light. This means that different examinations can be performed with just one light. Old-fashioned wood's lights require the room to be completely darkened.

Thanks to powerful BLB LEDs, the Opticlux doesn't need this. That means more time for the patient.

For radiation of certain dermatomycoses to obtain diagnostic indications based on the fluorescence that occurs:

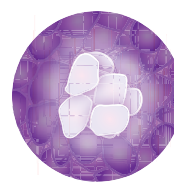
- ERYTHRASMA (red fluorescence)
- MICROSPORIA (weak green fluorescence)
- FAVUS (bilious green fluorescence)
- TRICHOBACTERIOSIS AXILLARIS (yellow ochre colored fluorescence)
- PITYRIASIS VERSICOLOR (yellow ochre colored fluorescence)
- TUBEROUS SCHLEROSIS (blue-white fluorescence versus normal skin)
- VITILIGO (blue/bright white fluorescence of depigmented areas)
- SCABIES (gray-white mite tracks)

Also for fluorescence diagnostics (FD) for in-vivo diagnostics of dysplastic tissues and surface tumors in connection with local or systemically applied pigment, such as PPIX or 5-ALA.



**LED light  
& dimming**

Skin under near daylight LED light



**wood's light  
(365 nm)**

Accurate diagnosis:  
Skin changes appear differently in wood's light, such as with skin diseases like favus, types of intertrigo or erythrasma

### Competence in examination and treatment areas

Medical luminaires from Derungs can be used in different hospital departments and surgeries.

Find your application and we help you to find the right luminaire: Choose between various performance and equipment features, as well as fastening options.



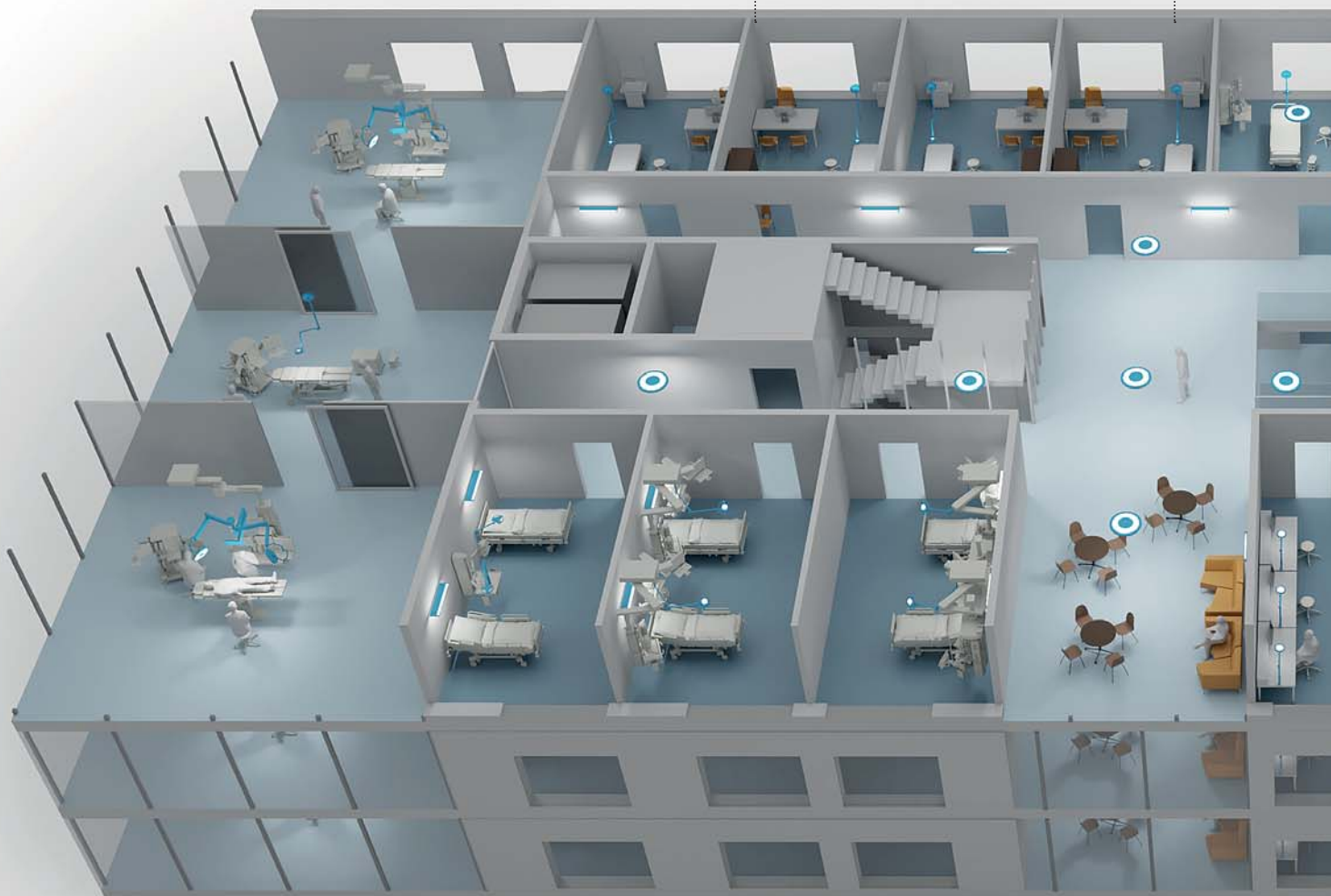
#### Treatment

Small surgery  
Outpatient surgery  
Endoscopy



#### Emergency

Trauma room





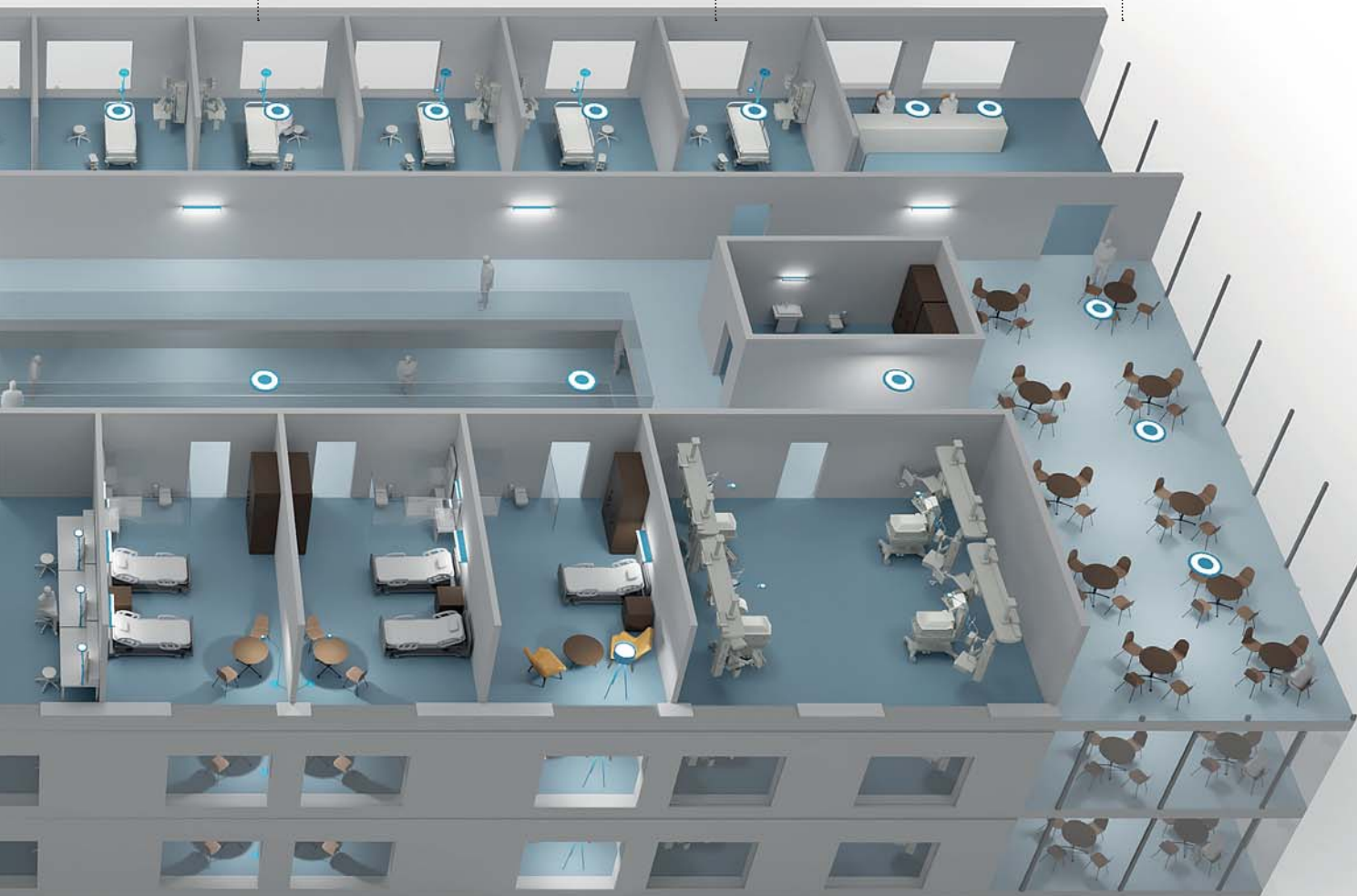
**Examination**

- General medicine
- Dermatology
- Gynecology
- Neonatology
- Anesthesia

**Operation room preparation**

- Anesthesia

**Intensive care**





reddot winner 2020



reddot design award  
winner 2012



reddot award 2014  
winner



reddot award 2018  
winner

## TREATMENT LUMINAIRES

## EXAMINATION LUMINAIRES

## MAGNIFIER LUMINAIRES

TRIANGO 100

26



TRIANGO 80

32



VISIANO 20

38



VISIANO 10

44



HALUX N50

46



HALUX N30

50



OPTICLUX Hand

56



OPTICLUX

60





## LIGHT FOR THE MEDICAL WORKPLACE



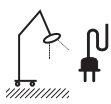
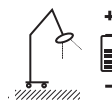
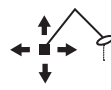




Luminaire	Treatment	Surgery preparation	Emergency	Examination	Specialist examination	Intensive care
<b>Treatment Luminaire</b>	Small / Out-patient surgery Endoscopy Delivery	Anesthesia	Trauma room	General medicine. Dermatology Neonatology Paediatrics	Gynaecology & Obstetrics / Urology	
TRIANGO 100	●	○	●	○	●	
TRIANGO 80	●		●	○	○	
<b>Examination Luminaire</b>						
VISIANO 20		○	○	●		○
VISIANO 10		○		●		●
HALUX N50		○	○	●	○	●
HALUX N30				○	●	○
<b>Magnifier Luminaires</b>						
OPTICLUX				●		
OPTICLUX Hand				●		

● ideally suitable

○ well suited



							<b>Class</b>	<b>Illumination</b>
Ceiling	Wall	Roller stand Cable	Roller stand Battery	Pin Universal	Hand lamp Battery	Luminous power Function Design		Lux (lx)
✓	✓	✓				★★★★★		100 000 Lux @ 1.0 m
✓	✓	✓	✓			★★★★		60 000 Lux @ 1.0 m
✓	✓	✓		✓		★★★★		80 000 Lux @ 0.5 m
	✓	✓		✓		★★★		50 000 Lux @ 0.5 m
	✓	✓		✓		★★★		50 000 Lux @ 0.5 m
	✓	✓		✓		★★		30 000 Lux @ 0.5 m
✓	✓	✓		✓		★★★★		6 000 Lux @ 0.15 m
					✓	★★★★★		8 000 Lux @ 0.15 m

Further variants and technical information online:  
[www.waldmann.com](http://www.waldmann.com)

**We are a full provider.**

Discover our room and workplace  
lighting for office and nursing care.



# TREATMENT LUMINAIRES



### Light and ergonomics

The universally applicable treatment luminaires create the best light conditions for any type of examination and small surgical intervention. High-quality LED technology optimally reproduces color nuances and supports doctors in their daily work. Premium arm systems with a large movement radius and good positioning provide simple, ergonomic operation.

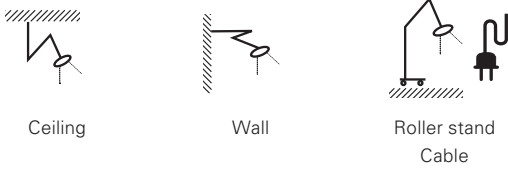
### Normative requirements of IEC 60601-1

- Protection class: I or II with PA connection
- No failure safety
- Easy to move
- Illumination intensity 40–160 klx
- D50 to D10 at least 50%
- Color temperature 3,000K to 6,700K
- Color rendering index Ra > 85
- For examination and operating rooms, etc.
- Removable, sterilizable hand grip
- Stable light quality

# TREATMENT LUMINAIRES **TRIANGO 100**



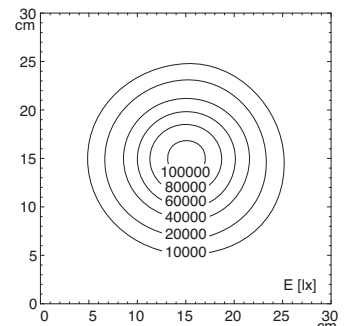
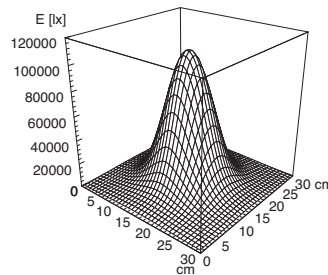




The TRIANGO 100 treatment light is the latest premium product. With 100,000 lux at one meter, it is the highest-performing medical light by Derungs. It is especially good for treatment, minimally invasive interventions and in-depth examinations. The version with Endo mode also offers optimum light for endoscopic treatments. With its first-class features, such as Ra 95 color rendering and LEDs in two different light colors, it also assists medical personnel in fields like dermatology, gynecology and urology. Special versions with focusable light fields extend the applications even further.



reddot winner 2020



**TRIANGO 100 technical data**

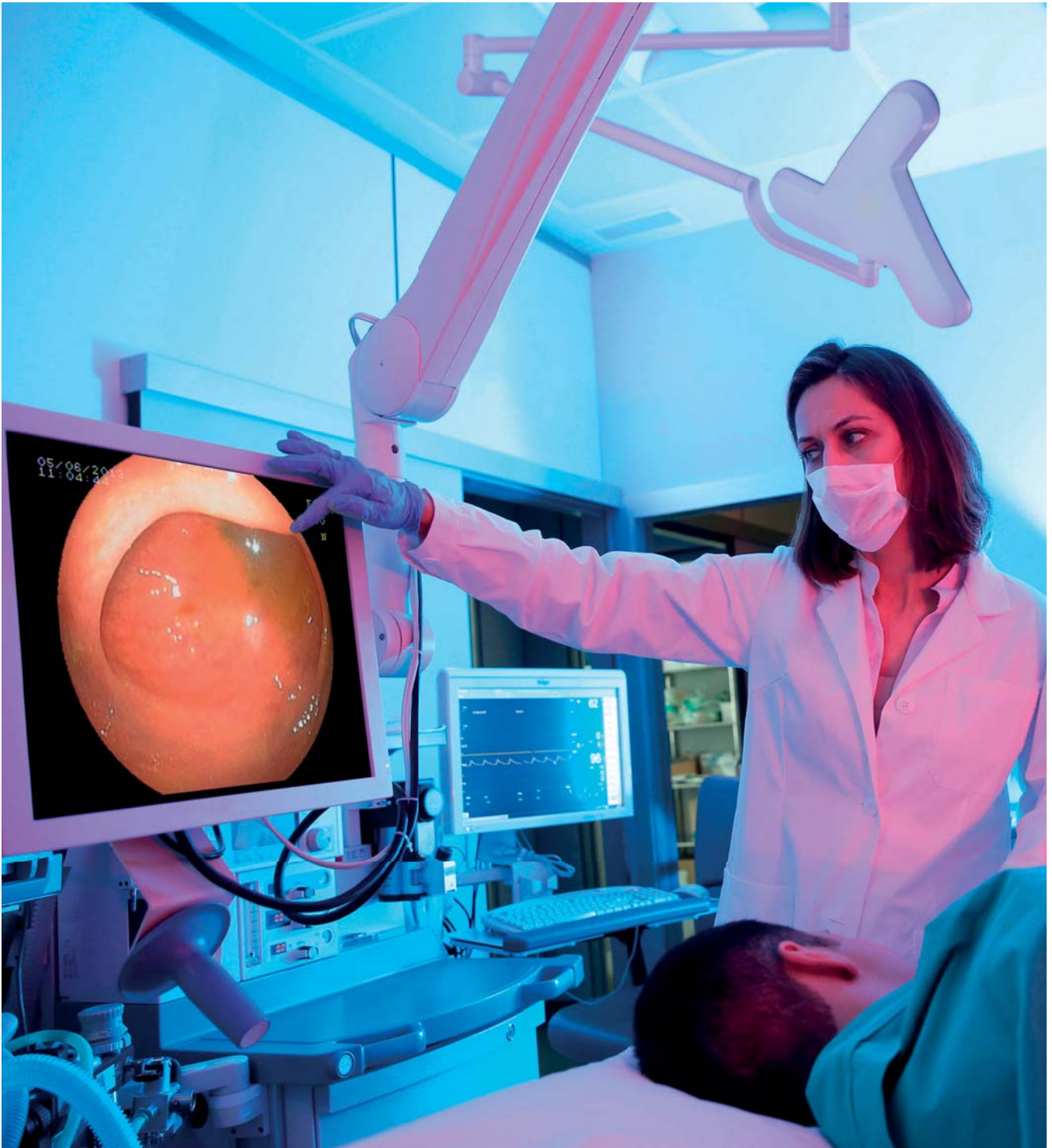
Luminous power *	100 000 lux @ 1.0 m
Color temperature *	fixed 4,300 K adjustable: 3 700 K / 4 300 K / 4 700 K
Illuminance field @ 1.0 m *	fixed 18 cm focusable: 18–28 cm
Depth of illumination	1.2 m
Color rendering index Ra	95
Usage	keypad at luminaire head
Accessories	sterilizable hand grip, disposable grip cover, intermediate ceiling adapter
Class of protection	I
Norms	EN 60601-1, EN 60601-2-41
System of protection	IP 43 (luminaire head)

Special features 4-stage dimmable, 3-stage color changing (optional), focusable (optional), Endo mode (optional), maintenance-free



derungs.swiss/triango100

\* -10% / +20% tolerance



#### **Endo mode.**

When doctors perform treatments or examinations on monitors, the illumination intensity can be adjusted so that glare or reflections are reduced to a minimum. If complications occur during the procedure and the patient has to be operated on, the touch of a button brings the full power of 100 000 lux.

#### **Focusable light field.**

An adjustable light field gives any doctor a great deal of everyday flexibility. The light can be optimally adjusted to the treatment surface. During treatment to the patient's face, a smaller light field protects from glare. For larger treatment surfaces, a large light field reduces the need to reposition the luminaire.





**Intuitive operation**  
Simple operation with an easy-to-reach keypad



**Ideal color temperature**  
Optional, adjustable to three levels (3 700 K / 4 300 K / 4 700 K)\*

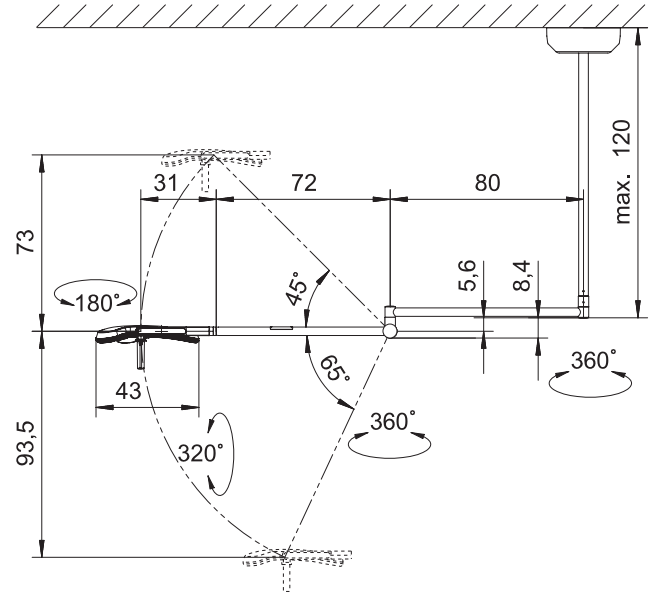


**Diamond cluster optics**  
For uniform light with 100 000 lux @ 1.0 m



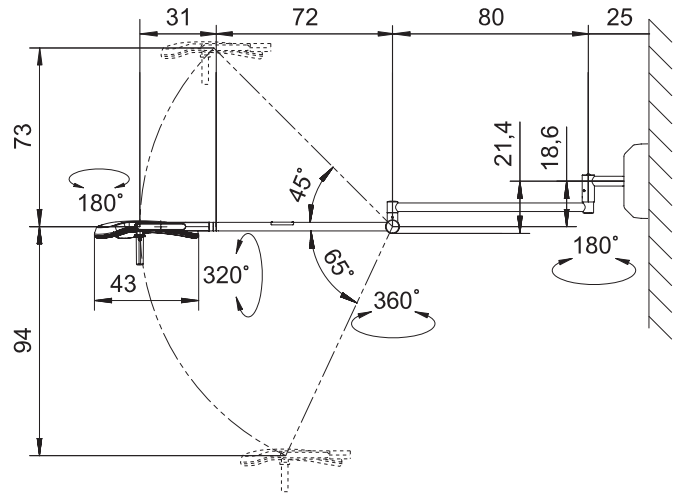
**Unique arm system**  
High positional accuracy and long reach

# TRIANGO 100

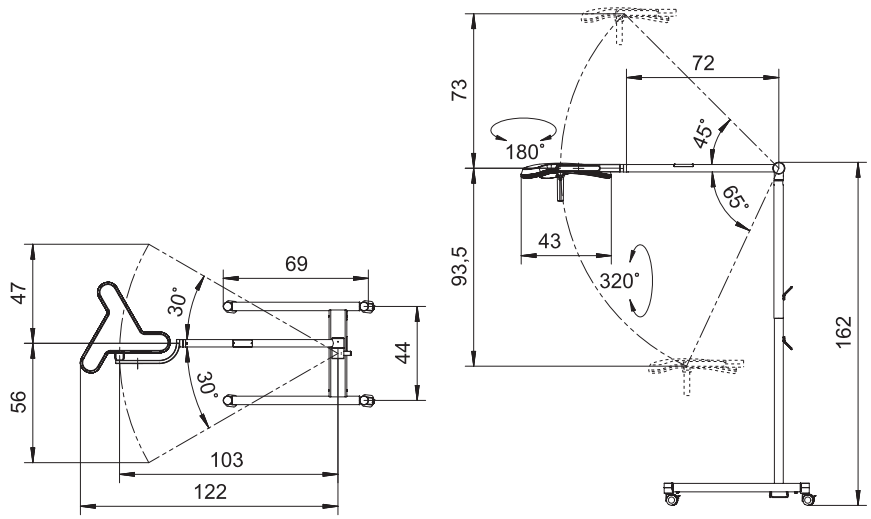


TRIANGO 100 – Ceiling version	Connection	Special features	Order No.
TRIANGO 100-1 C	direct power supply	dimnable	D15.884.000-00802695
TRIANGO 100-3 C	direct power supply	dimnable, 3 color shades	D15.885.000-00803113
TRIANGO Fokus 100-1 C	direct power supply	dimnable, focusable	D15.886.000-00803685
TRIANGO Fokus 100-3 C	direct power supply	dimnable, focusable, 3 color shades	D15.887.000-00803686
TRIANGO Endo 100-1 C	direct power supply	dimnable, Endo mode	D15.972.000-00803704





TRIANGO 100 – Wall version	Connection	Special features	Order No.
TRIANGO 100 W	direct power supply	dimnable	D15.888.000-00803663
TRIANGO 100-3 W	direct power supply	dimnable, 3 color shades	D15.889.000-00803114
TRIANGO Fokus 100-1 W	direct power supply	dimnable, focusable	D15.890.000-00803687
TRIANGO Fokus 100-3 W	direct power supply	dimnable, focusable, 3 color shades	D15.891.000-00803688
TRIANGO Endo 100-1 W	direct power supply	dimnable, Endo mode	D15.973.000-00803706



TRIANGO 100 – Roller stand	Connection	Special features	Order No.
TRIANGO 100-1 F	3.0 m cable, Schuko	dimnable	D15.923.000-00803670 - CH D15.892.000-00803664 - SCHUKO D15.911.000-00803665 - UK
TRIANGO 100-3 F	3.0 m cable, Schuko	dimnable, 3 color shades	D15.924.000-00803671 - CH D15.893.000-00803115 - SCHUKO D15.912.000-00803187 - UK
TRIANGO Fokus 100-1 F	3.0 m cable, Schuko	dimnable, focusable	D15.925.000-00803698 - CH D15.894.000-00803689 - SCHUKO D15.913.000-00803700 - UK
TRIANGO Fokus 100-3 F	3.0 m cable, Schuko	dimnable, focusable, 3 color shades	D15.926.000-00803699 - CH D15.895.000-00803690 - SCHUKO D15.914.000-00803188 - UK
TRIANGO Endo 100-1 F	3.0 m cable, Schuko	dimnable, Endo mode	D15.978.000-00803711 - CH D15.974.000-00803707 - SCHUKO D15.975.000-00803708 - UK

Other plugs are available on request.



# TREATMENT LUMINAIRES **TRIANGO 80**

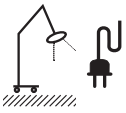




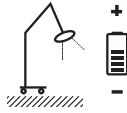
Ceiling



Wall



Roller stand  
Cable

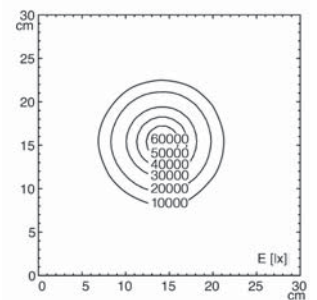
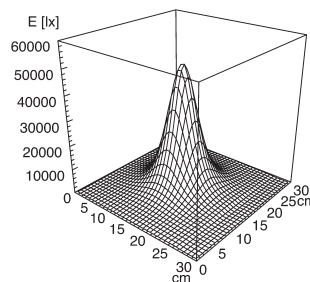


Roller stand  
Battery

Even better: We have further optimized the proven TRIANGO 30. This luminaire is now called TRIANGO 80 and is suitable for minor interventions. Illuminance has been increased to 80,000 lux at a distance of one metre. The light field diameter has also been increased to 18 cm. A newly developed optical system provides bright and homogeneous illumination of the treatment and examination area. The new linkage enables simple and accurate alignment of the luminaire head. The special handle allows right- and left-handed users to easily position the lamp.



reddot winner 2020



**TRIANGO 80 technical data**

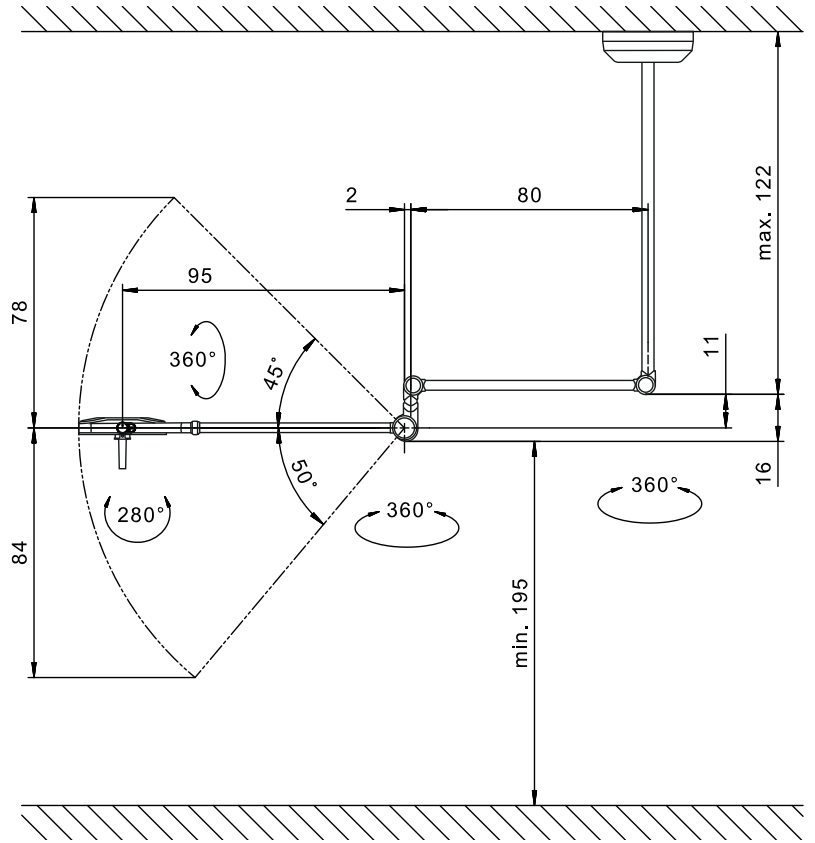
Luminous power *	80 000 lux @ 1.0 m
Color temperature *	4500 K
Illuminance field @ 1.0 m *	Ø 18 cm
Depth of illumination	1.2 m
Color rendering index Ra	95
Usage	control knob on the luminaire head
Accessories	sterilizable hand grip, disposable grip cover, intermediate ceiling adapter
Class of protection	I
Norms	EN 60601-1, EN 60601-2-41
System of protection	IP 43 (luminaire head)
Special features	continuous dimming, maintenance-free



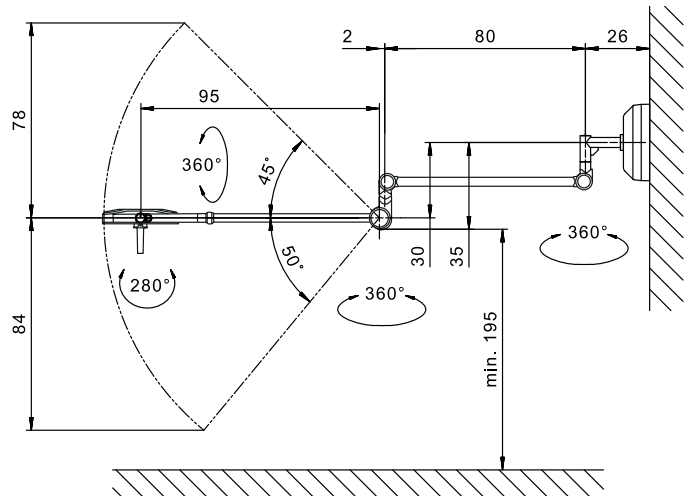
[derungs.swiss/triang80](http://derungs.swiss/triang80)

\* -10% / +20% toleranz

# TRIANGO 80



TRIANGO 80 – CEILING VERSION	Connection	Special features	Order No.
TRIANGO 80-1 C	direct power supply	dimnable	D16.131.000-808951

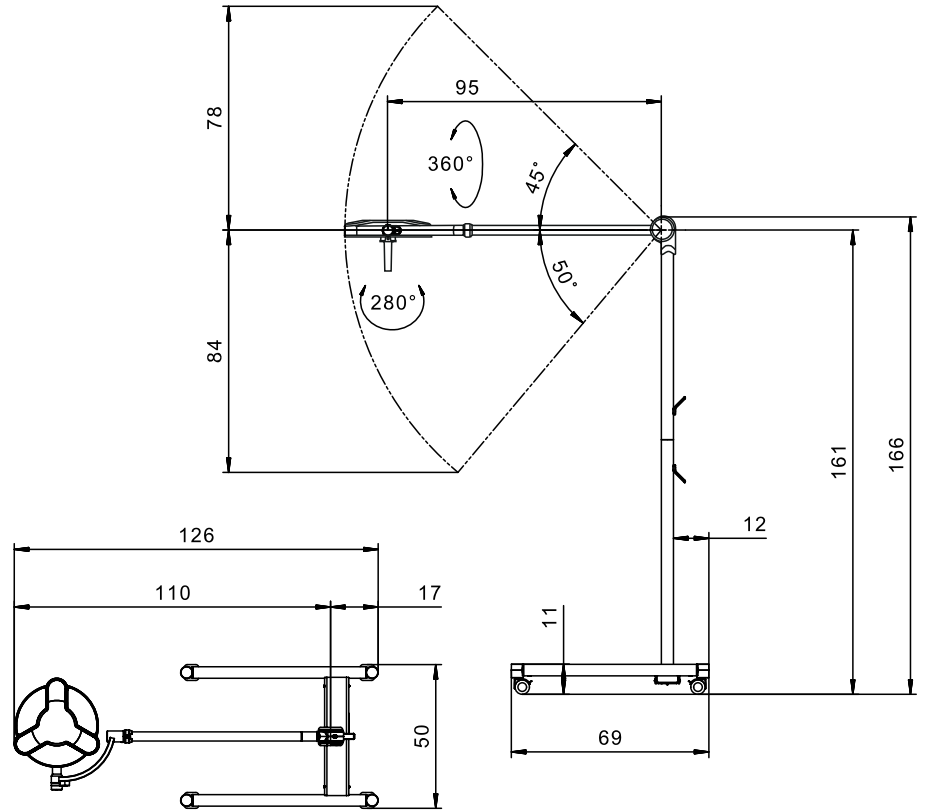


TRIANGO 80 – WALL VERSION	Connection	Special features	Order No.
TRIANGO 80-1 W	direct power supply	dimnable	D16.136.000-808986





Roller stand



TRIANGO 80 – Roller stand	Connection	Special features	Order No.
TRIANGO 80-1 F	3.0 m cable, Schuko	dimnable	D16.132.000-808982 - Schuko D16.133.000-808983 - CH D16.134.000-808984 - UK

Other plugs are available on request.



# EXAMINATION LUMINAIRES







### **Design and light technology**

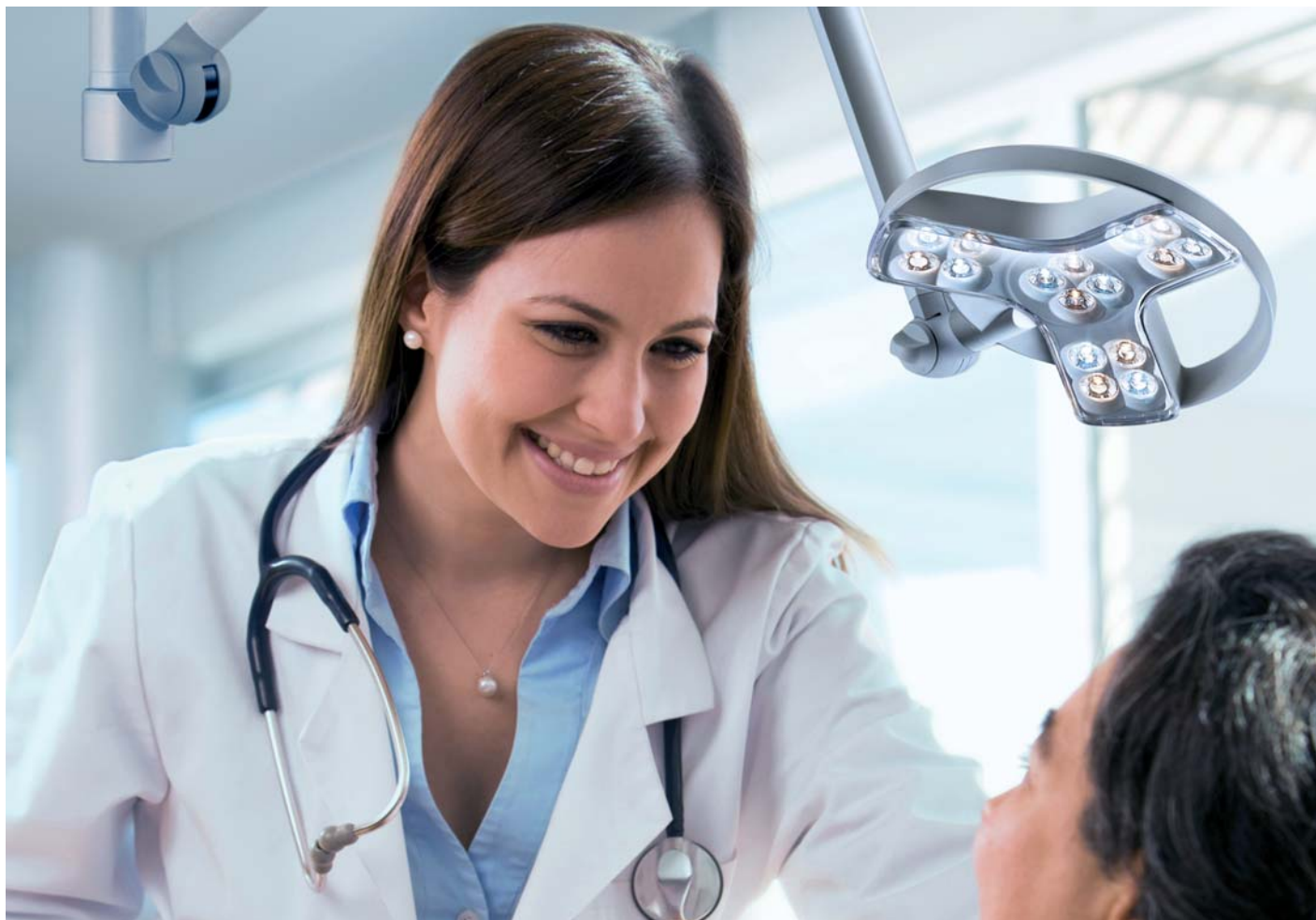
The versatile examination luminaires support localized lighting on the patient's body. Their illumination intensity, light color and color rendering are adapted to assist in diagnosis. The examination luminaires' appealing design, modern light technology and high light quality ensure optimal examination illumination in all medical fields.

### **Normative requirements of IEC 60601-1**

- Easy to move
- Color temperature 3 000K to 6 700K
- Color rendering index Ra > 85
- For examination rooms, etc.
- Stable light quality
- No failure safety



# EXAMINATION LUMINAIRES VISIANO 20

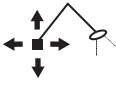
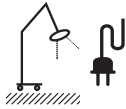




Ceiling



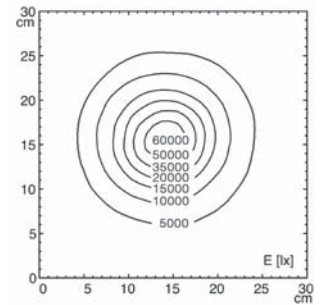
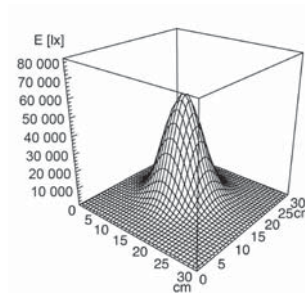
Wall

Pin  
UniversalRoller stand  
Cable

The VISIANO 20 is an examination luminaire with first-class performance and innovative features. At 60 000 lux at 0.5 m, the light field is outstanding for the class. This makes it suitable for many applications: general medicine, dermatology, gynecology, urology, neonatology and anesthesia. In intensive care, emergency and surgery preparation, it assists medical personnel with high quality illumination using LEDs in two different light colors. Unique in this luminaire category is the integrated Sanitized® hygiene function.



reddot award 2014  
winner



-10% / +20% tolerance

#### VISIANO 20-2 technical data

Luminous power *	60 000 lux @ 0.5 m
Color temperature *	3 500 K & 4 500 K
Illuminance field @ 0.5 m *	Ø 21 cm
Color rendering index Ra	95
Usage	keypad on luminaire head
Accessories	suspended Ceiling Adapter
Class of protection	ceiling version I, pin version II
Norms	EN 60601-1, EN 60601-2-41
System of protection	IP 20
Special features	2 color temperatures, 4 dimming levels antimicrobial surface, continuously rotating luminaire head

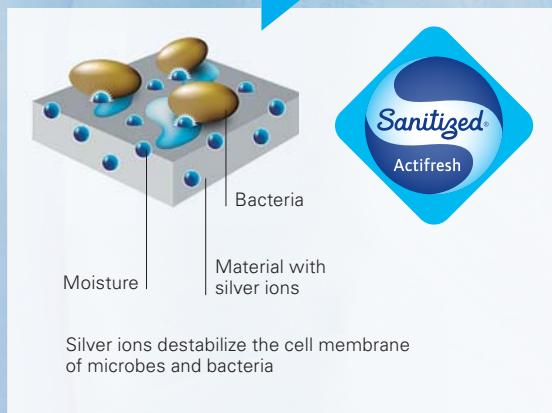


derungs.swiss/visiano20

\* -10% / +20% tolerance



**BACTERIA  
REDUCTION  
WITH SILVER IONS**



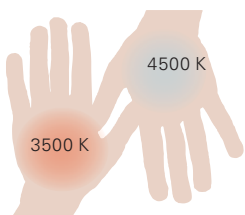
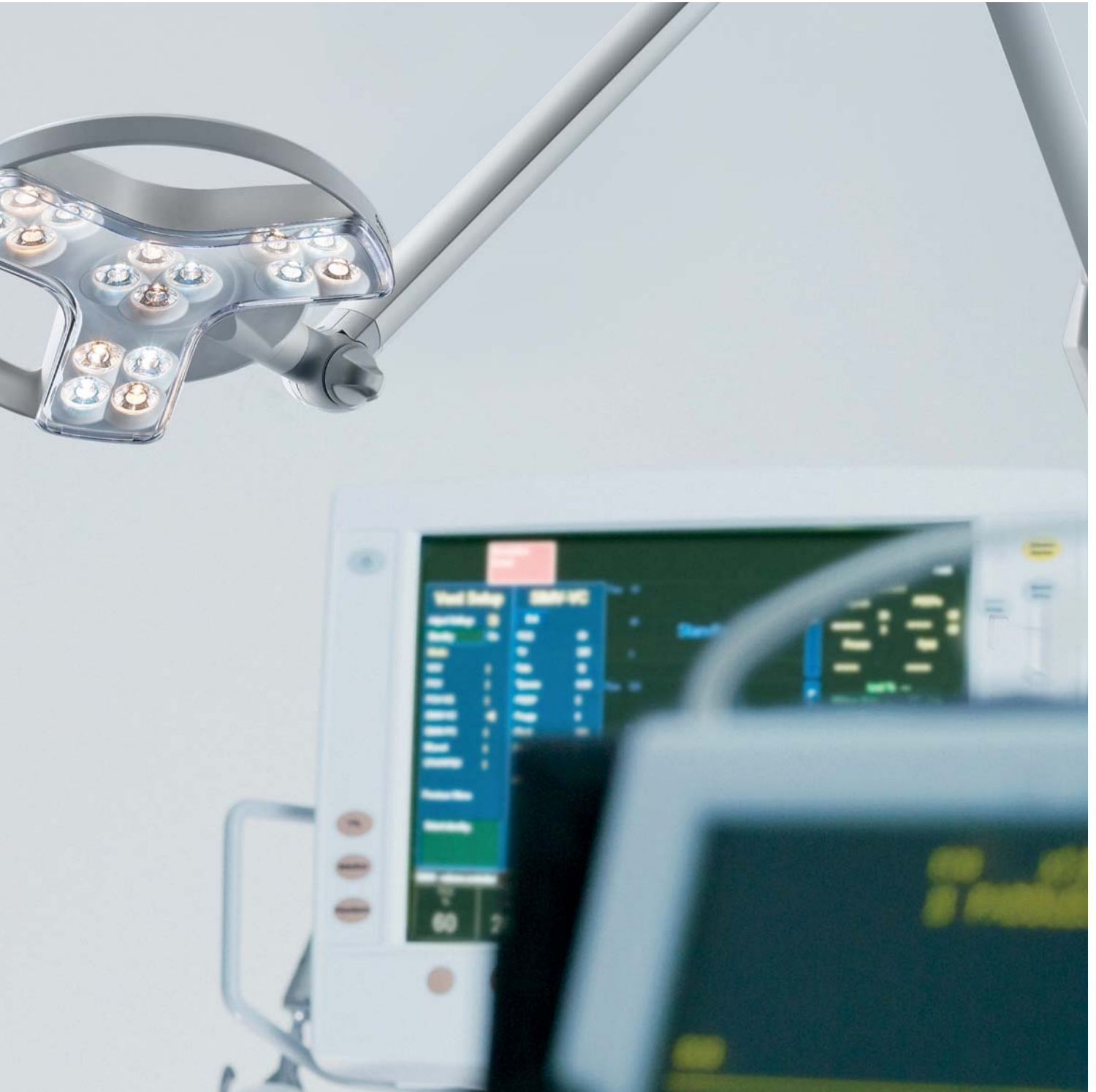
### **Antimicrobial protection against the spread of bacteria**

In untreated materials, harmful bacteria and germs multiply within 20 minutes. The integrated antimicrobial Sanitized® hygiene function in the upper luminaire housing helps to keep critical areas hygienic. Tests have shown that 99% of the bacteria and microbes may be destroyed. The biocide is permanently resistant, but is not a substitute for regular cleaning.

### **Versatile use**

The VISIANO's mounting options are as diverse as its potential applications. Whether on the ceiling, wall or roller stand, the completely enclosed housing prevents dirt from entering and settling.





**Color changing**  
for optimal contrast viewing



**Unique diamond optics**  
for best light color uniformity



**360° turnover axis**  
for maximum light availability

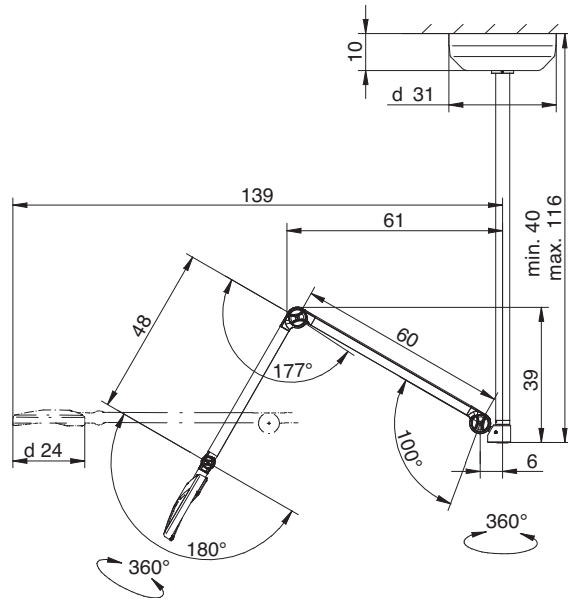


**Spring-balanced friction joint**  
for effortless positioning and locking

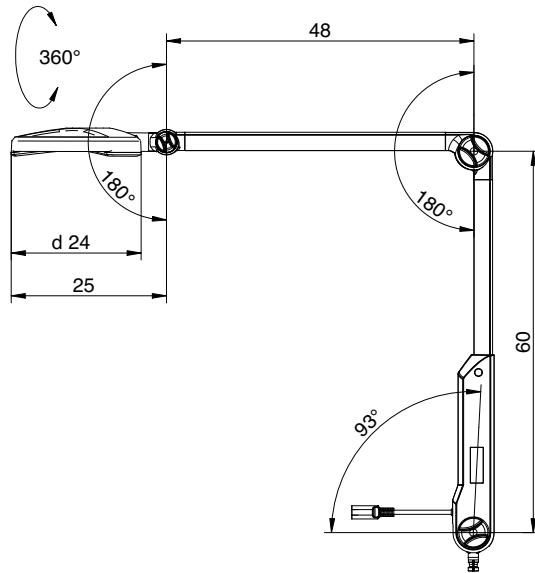
# VISIANO 20



Ceiling tube  
max. 116 cm



VISIANO 20 – Ceiling version	Connection	Special features	Order No.
VISIANO 20-2 C T1	direct power supply	dimnable, 2 color shades	D15.450.000-00633104



VISIANO 20 – Pin version	Connection	Special features	Order No.
VISIANO 20-2 P TX	1.8 m cable, Euro	dimnable, 2 color shades	D15.451.000-00633107 - Euro D15.456.000-00678230 - UK

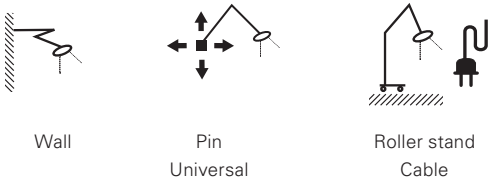
Other plugs are available on request.



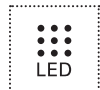
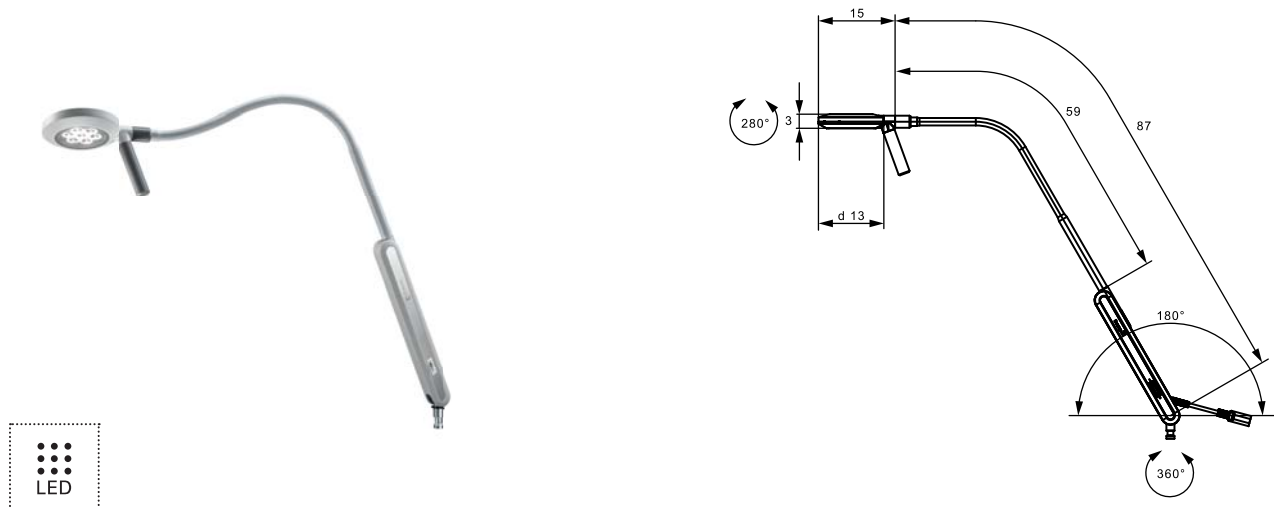


# EXAMINATION LUMINAIRES **VISIANO 10**



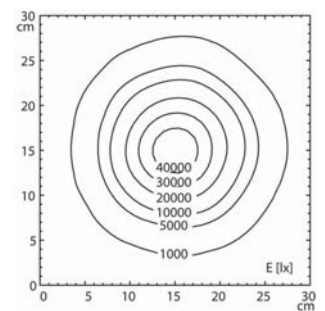
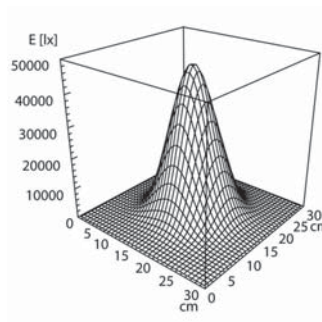


The VISIANO 10 is an examination luminaire reduced to the essentials, but without skimping on professional light technology. With 50 000 lux of illumination intensity at a distance of 0.5 m, it is suitable for general examinations, as well as intensive care and neonatology. The ergonomic hand grip allows easy alignment of the light field.



VISIANO 10	Connection	Special features	Order No.
VISIANO 10-1 P S10	1.8 m cable, Euro	Flex arm, ergonomic hand grip	D15.732.000-00689628 - Euro D15.756.000-00712490 - UK

Other plugs are available on request.



**Visiano 10-1 technical data**

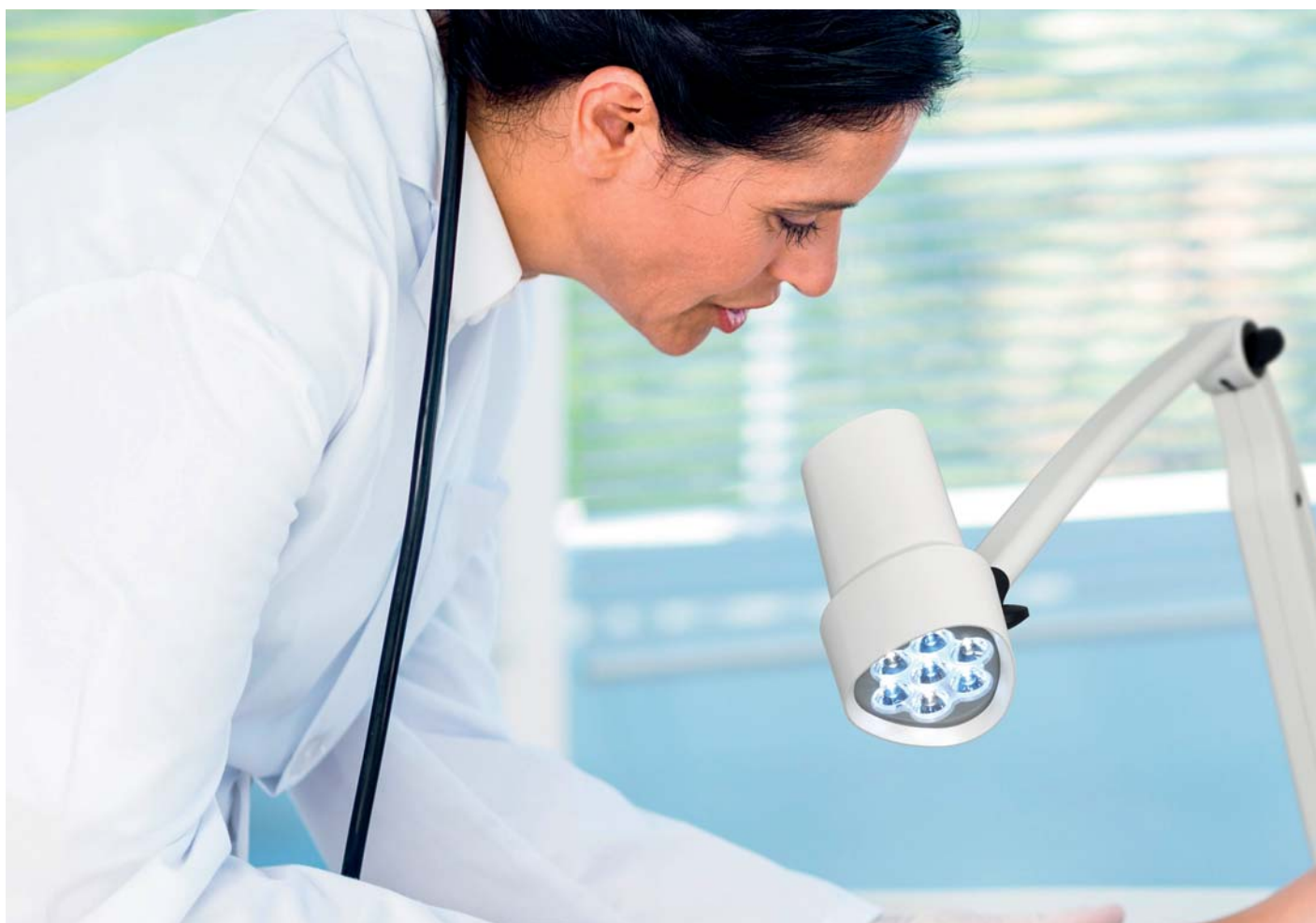
Luminous power *	approx. 50 000 lux @ 0.5 m
Color temperature *	4400 K
Illuminance field @ 0.5 m *	Ø 18 cm
Color rendering index Ra	93
Usage	I/O switch on the arm
Class of protection	II
Norms	IEC 60601-1
System of protection	IP 20
Special features	hand grip, luminaire head can be turned 280°



[derungs.swiss/visiano10](http://derungs.swiss/visiano10)

\* -10% / +20% tolerance

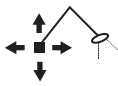
# EXAMINATION LUMINAIRES **HALUX N50**



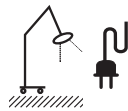




Wall

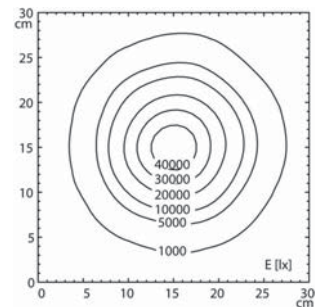
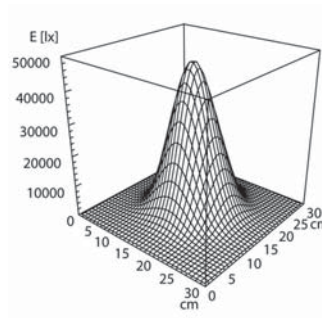


Pin  
Universal



Roller stand  
Cable

HALUX N50 is the right luminaire for anyone looking for good lighting quality at a top price. The illuminance of up to 50,000 lux at 0.5 m and the 18 cm light field ensure optimum examination conditions. The neutral white light with very good colour rendition properties facilitates diagnosis. Illuminance can be dimmed in five levels. The arm system also leaves nothing to be desired: Depending on requirements, the luminaire is available with a robust flexible arm or a positionally stable spring arm. Thanks to its closed design, HALUX N50 is easy to clean.



**HALUX N50 technical data**

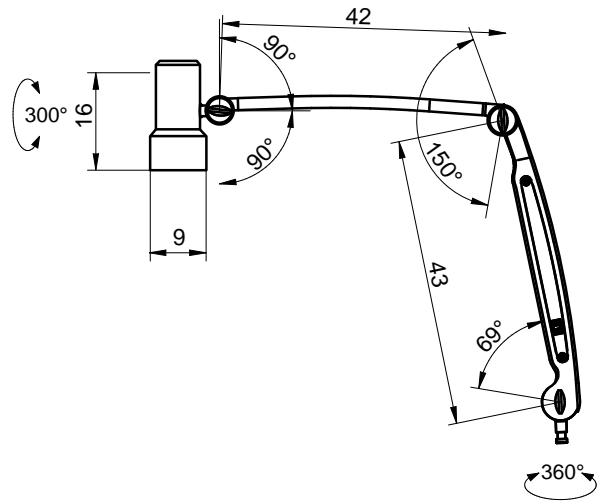
Luminous power *	50 000 lux @ 0.5 m
Color temperature *	Fixed 4 400 K Adjustable: 3 300 K / 3 800 K / 4 400 K **
Illuminance field @ 0.5 m *	Ø 18 cm
Color rendering index Ra	93
Usage	Keypad at luminaire head or rocker switch (I/O)
Class of protection	II
Norms	EN 60601-1, EN 60601-2-41
System of protection	IP 20 (luminaire head)
Special features	5 dimming levels **



[derungs.swiss/halux-n50](http://derungs.swiss/halux-n50)

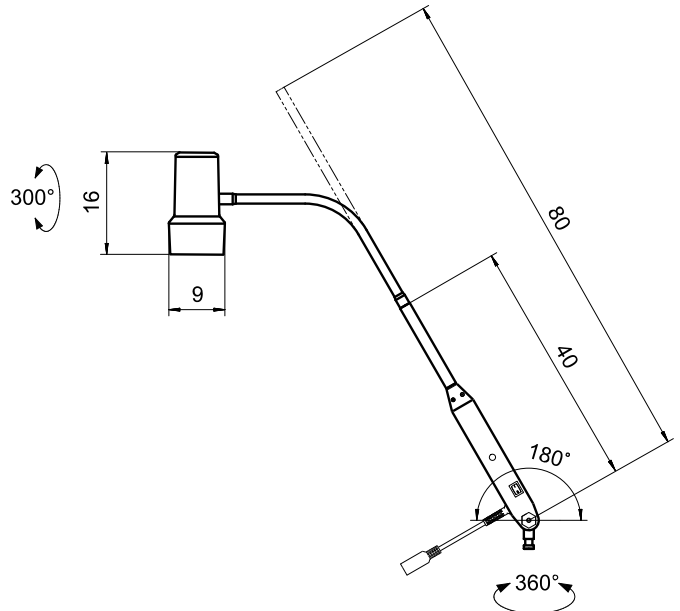
\* -10% / +20% Toleranz \*\* optional

# HALUX N50



HALUX N50-1	Connection	Special features	Order No.
HALUX N50-1 P FX	1.8 m cable	Spring-balanced arm	D16.012.000-00806681 - Euro D16.037.000-00806685 - UK
HALUX N50-3 P FX	1.8 m cable	Spring-balanced arm , dimmable, colour changeable	D16.013.000-00806682 - Euro D16.038.000-00806686 - UK

Other plugs are available on request.



HALUX N50-1	Connection	Special features	Order No.
HALUX N50-1 P SX	1.8 m cable	Flex arm	D16.010.000-00806679 - Euro D16.035.000-00806683 - UK
HALUX N50-3 P SX	1.8 m cable	Flex arm, dimmable, colour changeable	D16.011.000-00806680 - Euro D16.036.000-00806684 - UK

Other plugs are available on request.



**Outstanding color rendering**

Optimal light color for precise and safe diagnoses



**Intuitive operation**

Simple operation with an easy-to-reach keypad\*



**Individual light strength**

5-level dimming\* makes the light easily adaptable



**Optimal contrast viewing**

Three color levels\* for accurate detail and perfect contrast

\* HALUX N50-3 Modelle



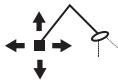
# EXAMINATION LUMINAIRES

## HALUX N30

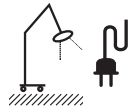




Wand

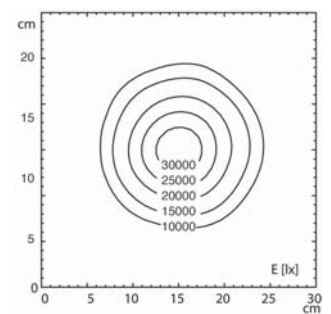
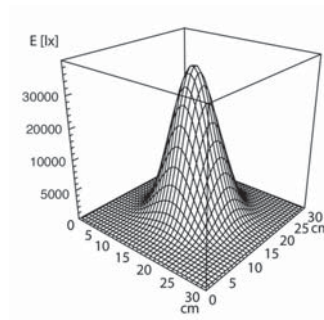


Pin  
Universal



Rollstativ  
Kabel

HALUX N30 is a solid examination luminaire with uncompromisingly good light and a very attractive price. With a diameter of 18 cm and an illuminance of up to 30,000 lux over 0.5 m, the lighting field is perfectly equipped for versatile everyday use. The good colour rendering properties and the infinitely variable dimming function offer a high level of comfort. The HALUX N30 version is particularly versatile in terms of the possible arm systems: from flexible arm with or without foot joint, with spring arm or rolling stand. The closed construction avoids dirt pockets and is easy to clean.



**HALUX N30 technical data**

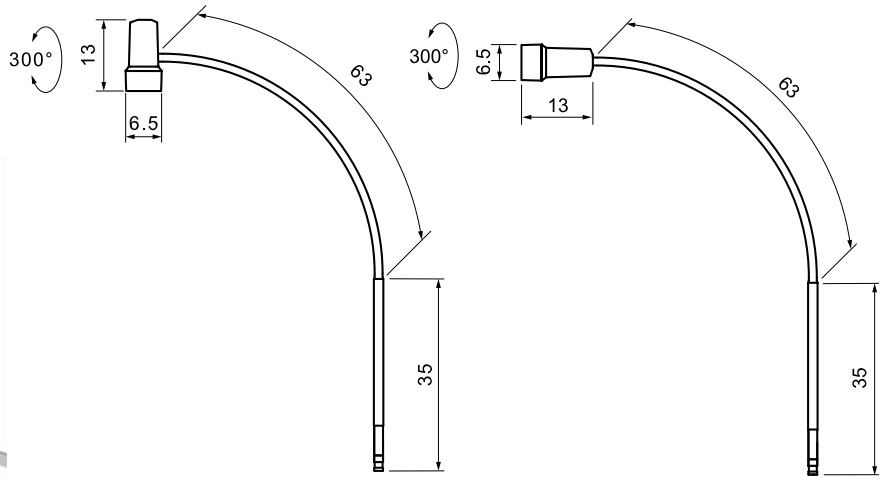
Luminous power *	30 000 Lux @ 0.5 m
Color temperature *	4400 K
Illuminance field @ 0.5 m *	Ø 18 cm
Color rendering index Ra	93
Usage	Keypad at luminaire head
Class of protection	II
Norms	EN 60601-1, EN 60601-2-41
System of protection	IP 20 (luminaire head)
Special features	infinitely dimmable



[derungs.swiss/halux-n30](http://derungs.swiss/halux-n30)

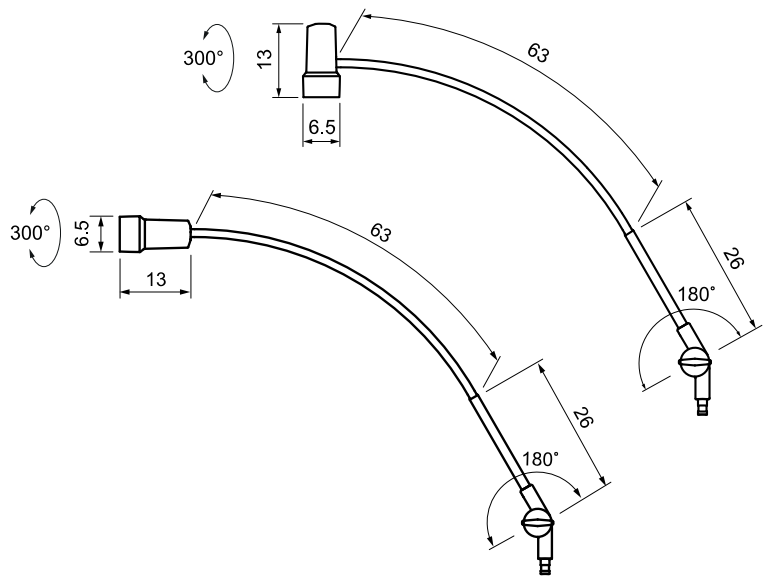
\* -10% / +20% Toleranz \*\* optional

# HALUX N30



HALUX N30-1 P S	Connection	Special features	Order No.
HALUX N30-1 P SV	1.7 m cable	Flex arm , dimmable	D15.990.000-00806673 - EU, UK, US, AUS
HALUX N30-1 P SH	1.7 m cable	Flex arm , dimmable	D15.991.000-00806674 - EU, UK, US, AUS

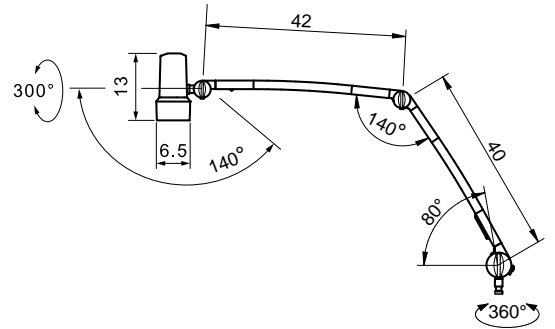
Other plugs are available on request.



HALUX N30-1 P SG	Connection	Special features	Order No.
HALUX N30-1 P SGV	1.7 m Kabel	Flex arm with foot joint, dimmable	D15.992.000-00806675 - EU, UK, US, AUS
HALUX N30-1 P SGH	1.7 m Kabel	Flexarm with foot joint, ddimmable	D15.993.000-00806676 - EU, UK, US, AUS

Other plugs are available on request.

# HALUX N30



HALUX N30-1 P F1	Connection	Special features	Order No.
HALUX N30-1 P F1	1.7 m cabel	Flex arm with foot joint, dimmable	D15.994.000-00806677 - EU, UK, US, AUS

Other plugs are available on request.



A wide selection - Various arm systems



Versions with or without foot joint



Attachment of the luminaire head from the side or from behind







A close-up photograph of a hand holding a magnifying glass. The magnifying glass is positioned over a glowing, circular light fixture, likely a magnifier luminaire. The light fixture has a bright, glowing ring and a central lens. The background is a plain, light-colored wall.

# MAGNIFYING LUMINAIRES

**Optimal enlargement**

Eyesight can often reach its limits in demanding medical tasks. Distortion free enlargement under optimal light conditions is needed. Magnifier luminaires illuminate details to their greatest precision, because they are designed for in-depth examinations and analysis in the dialog with the user.

# MAGNIFIER LUMINAIRE **OPTICLUX Hand**

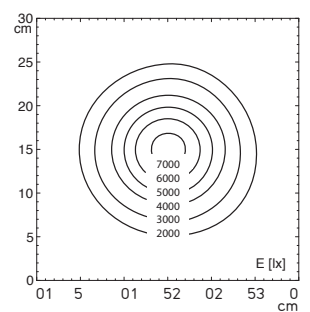
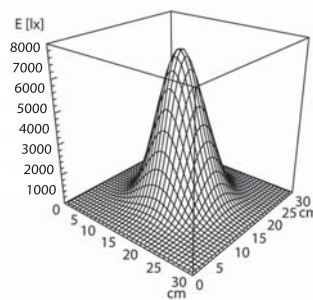




battery-powered  
manual version



The new OPTICLUX hand-held magnifier luminaire with ergonomic handle provides support for demanding visual tasks. This is ensured by the large dimmable light field in daylight quality, excellent colour rendition properties and long battery life. Dermatologists and veterinarians can look forward to the powerful Wood's light, which is available as an option to the daylight mode. But also users in other medical areas or in industry, will find the new OPTICLUX hand magnifier light their everyday life.



#### OPTICLUX Hand technical data

Luminous power *	8 000 lux @ 0.15 m
Color temperature *	6 500 K
Lens diameter *	Ø 16 cm
Color rendering index Ra	95
Usage	keypad at luminaire head
Class of protection	II
Norms	IEC 60601-1, IEC 60601-1-2
System of protection	IP 20

Special features  
dimmable, maintenance-free, rechargeable battery with USB C charging interface, wood's light mode (optional), lens cover

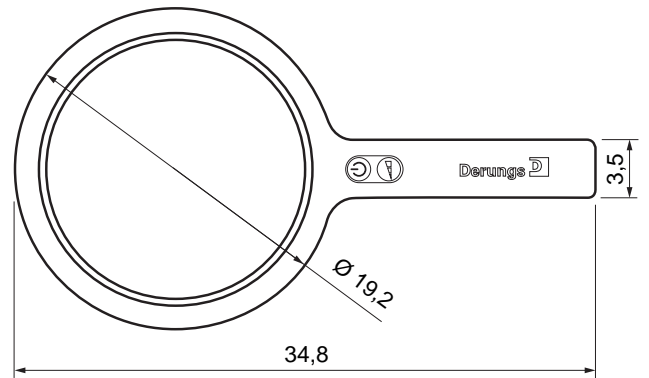


[derungs.swiss/opticlux-hand](https://derungs.swiss/opticlux-hand)

\* -10% / +20% tolerance



# OPTICLUX Hand



OPTICLUX Hand - manual version	Connection	Special features	Order No.
OPTICLUX Hand 10-2 UV (wood's light)	battery-powered manual version	dimnable, wood's light	D16.005.000-807073 - EURO
OOPTICLUX Hand 10-1 DL	battery-powered manual version	dimnable	D16.004.000-807072 - EURO

Other plugs are available on request.



## Ergonomic

Optimal handling for right- and left-handers



## Easy to handle

Keypad on the handle with stepless dimming controls



## Outstanding light

Unique light output with 8 000 lx at 0.15 m for a true-to-life color rendering



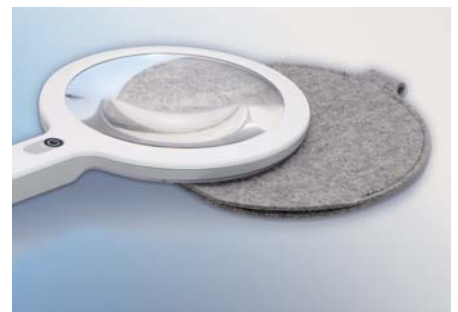
#### Battery powered

Up to 3 hours runtime, convenient charging through USB-C port



#### Especially for dermatology \*

Two lighting modes in one device:  
optional Wood's light for examining skin variations, lesions and pigment changes



#### Optimally protected

High quality felt cover protects the lens from scratches and sun exposure

\*Depending on version

# MAGNIFIER LUMINAIRE **OPTICLUX 10**

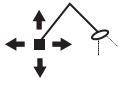




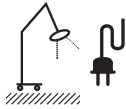
Ceiling



Wall



Pin  
Universal



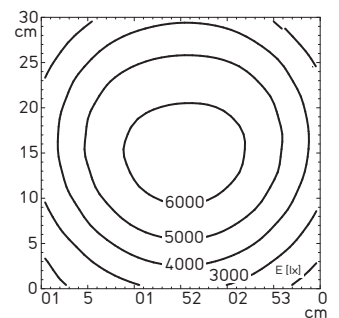
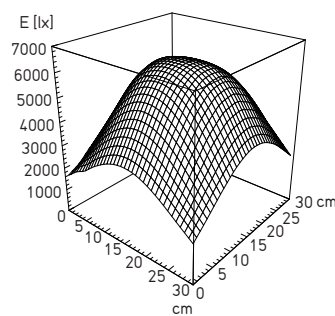
Roller stand  
Cable

OPTICLUX 10 magnifier luminaires combine a robust magnifying glass with outstanding light quality and ergonomic operation. As a proven medical device, they can be versatilely used in dermatology, clinics and practices for dental, human and veterinary purposes, in laboratories and in the monitoring of sterilization goods.

**i-NOVO<sup>®</sup>**  
**AWARDS**  
**2017**



**reddot award 2018**  
**winner**



Illumination intensity  
-10% / +20% tolerance



[derungs.swiss/opticlux](http://derungs.swiss/opticlux)

**OPTICLUX 10 technical data**

Luminous power *	6 000 lux @ 0.15 m
Color temperature *	6 500 K
Lens diameter *	Ø 16 cm
Color rendering index Ra	93
Usage	keypad at luminaire head
Class of protection	ceiling version I, pin version II
Norms	EN 60601-1, EN 60601-2-41
System of protection	IP 20
Special features	dimnable, maintenance-free, wood's light mode (optional), lens cover

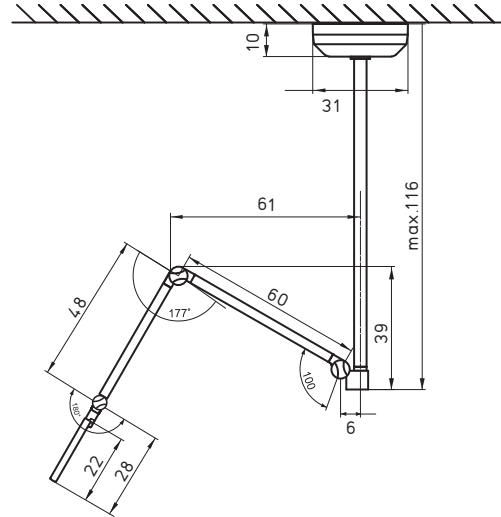
\* -10% / +20% tolerance



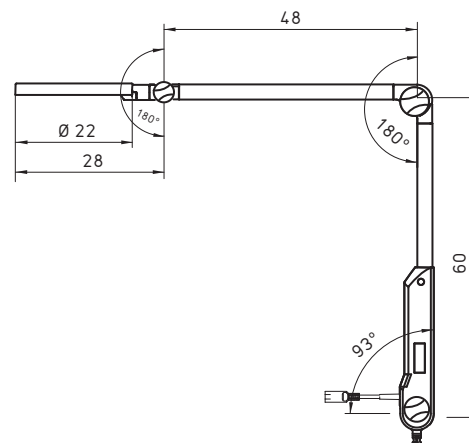
# OPTICLUX



WOOD'S  
LIGHT

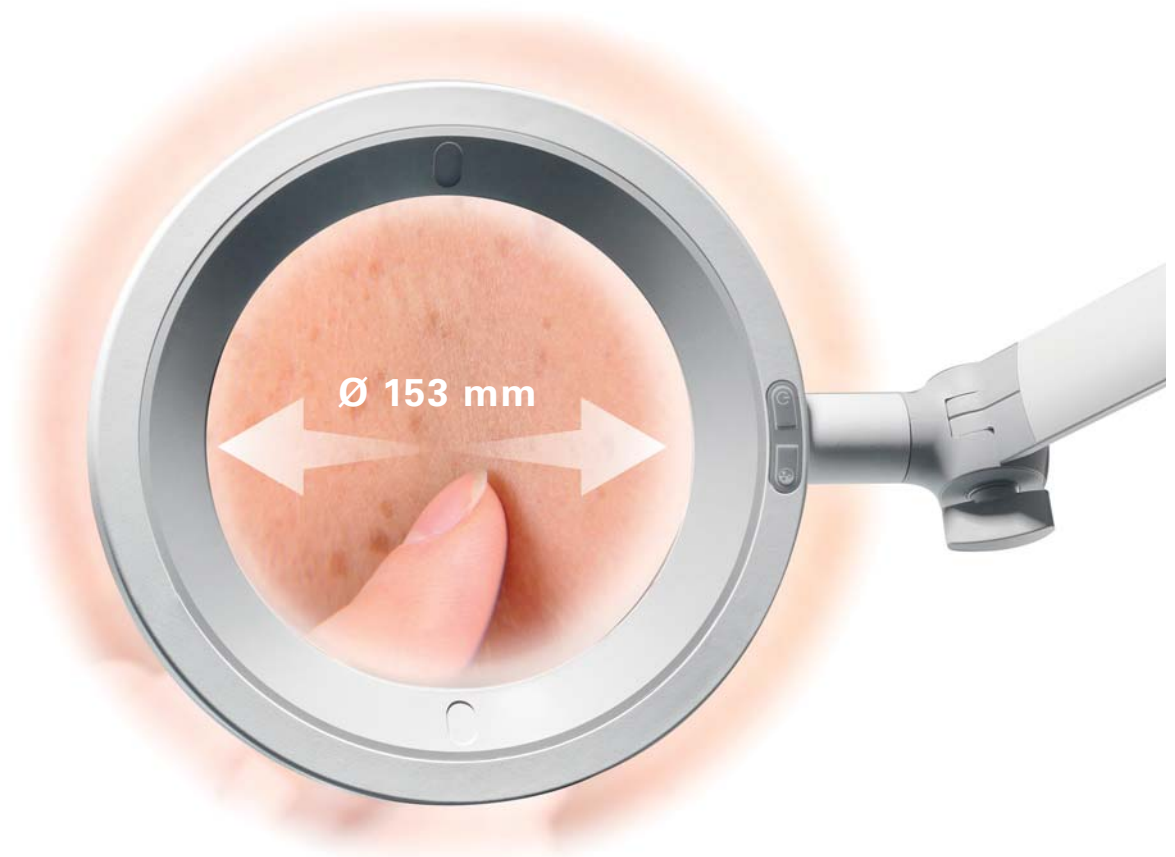


OPTICLUX 10 – Ceiling version	Connection	Special features	Order No.
OPTICLUX 10-2 C T1	direct power supply	dimnable, wood's light	D15.816.000-00752633
OPTICLUX 10-1 C T1	direct power supply	dimnable	D15.817.000-00752639



OPTICLUX 10 – Pin version	Connection	Special features	Order No.
OPTICLUX 10-2 P TX	1.8 m cable, Euro	dimnable, wood's light	D15.814.000-00752615 - EURO D15.851.000-00752645 - UK
OPTICLUX 10-1 P TX	1.8 m cable, Euro	dimnable	D15.815.000-00752618 - EURO D15.850.000-00752642 - UK

Other plugs are available on request.



#### Excellent field of vision

Due to large magnifier diameter (Ø 160 mm, 3.5 dpt) and strong, dimmable illumination (6 000 lx / 0.15 m)



#### Reliable color rendering

Premium 6 500 K LEDs ensure less shadow formation and optimal color rendering (CRI / Ra ≥ 93, R9 = 90, R13 = 95)



#### Special for dermatology \*

Two lighting modes in one device: optional UV-A (wood's light) for examining fluorescent lesions and pigment changes



#### Ergonomic handling

Spring balanced arm and internal friction joints allow smooth handling without the luminaire head sinking



#### Long service life

High-quality, scratch-resistant acrylic lens and precision components guarantee long service life



#### Flexible positioning

Long luminaire arm allows a broad reach up to 142 cm

\*Depending on version

# ACCESSORIES







# ACCESSORIES



## HAND GRIPS

Hand grip	TRIANGO 100, TRIANGO 80, TRIANGO 30		
	suitable for	Specifications	Order No.
Hand grip	TRIANGO 80, TRIANGO 30	sterilizable	D10.295.000-00703690
Hand grip	TRIANGO 100	sterilizable	D10.442.000-00802948
Hand grip	TRIANGO 100, TRIANGO 80, TRIANGO 30	-	D15.445.000-00714913


  


 <p>sterilizable hand grip TRIANGO 80 TRIANGO 30</p>	 <p>sterilizable hand grip TRIANGO 100</p>	 <p>disposable grip cover for all TRIANGO models</p>
--	--	---


# ACCESSORIES





## FASTENING HARDWARE

<b>Table clamp</b>		VISIANO 20, VISIANO 10, HALUX LED 20, OPTICLUX 10			
	<b>Material</b>	<b>Specifications</b>		<b>Order No.</b>	
	polyamide steel	black	0.350 kg	0–70 mm	D14.228.000-00625467
For luminaires with 16 mm pin fastening.					

<b>Universal mount</b>		VISIANO 20, VISIANO 10, HHALUX N50 / N30, OPTICLUX 10			
	<b>Material</b>	<b>Specifications</b>		<b>Order No.</b>	
	polyamide GF	pure white	0.09 kg	60 x 60 x 60 mm	D13.430.000-00627986
For luminaires with 16 mm pin fastening.					

<b>Rail clamp</b>		VISIANO 20, VISIANO 10, HALUX N50 / N30, OPTICLUX 10			
	<b>Material</b>	<b>Specifications</b>		<b>Order No.</b>	
	aluminum	natural anodized	0.16 kg	25–35 x 8 – 10 mm	D13.269.000-007069
For luminaires with 16 mm pin fastening.					

<b>Wall bracket</b>		VISIANO 20, VISIANO 10, HALUX N50 / N30, OPTICLUX 10			
	<b>Material</b>	<b>Specifications</b>		<b>Order No.</b>	
	polyamide GF	pure white	0.14 kg		D13.231.000-00522182
For luminaires with 16 mm pin fastening.					

<b>Wall bracket</b>		VISIANO 20, VISIANO 10, HALUX N50 / N30, OPTICLUX 10			
	<b>Material</b>	<b>Specifications</b>		<b>Order No.</b>	
	aluminum	pure white	0.15 kg		D15.435.000-00659957
For luminaires with 16 mm pin fastening.					

# ACCESSORIES



## FASTENING HARDWARE

### Standard wall track system 25 x 10 mm

VISIANO 20, VISIANO 10, HALUX N50 / N30, OPTICLUX 10

Standard: EN ISO 19054

#### Material

#### Specifications

#### Order No.



aluminum  
natural anodized

2.5 kg length 1 m,  
incl. 2 mounts

D13.505.000-00647049

aluminum  
natural anodized

length 1.5 m,  
incl. 3 mounts

D13.506.000-00630687

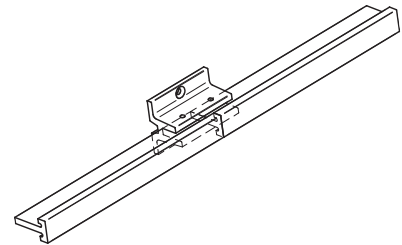
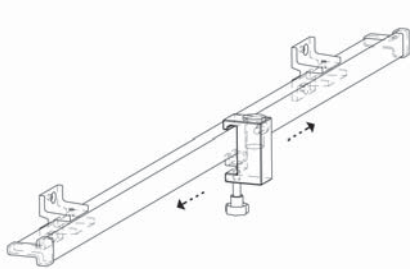
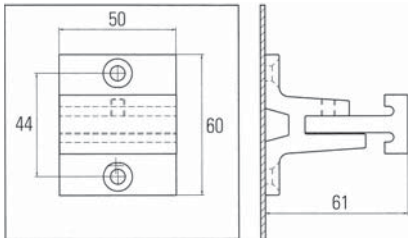
80 mm double mount for wall track

complete project-related  
lengths on request, up to 6 m

D56.045.000-00647052

Rail clamp

Double track mount for connecting  
2 wall tracks



### Intermediate ceiling adapter

TRIANGO 100, TRIANGO 80, VISIANO 20, OPTICLUX 10

#### Material

#### Specifications

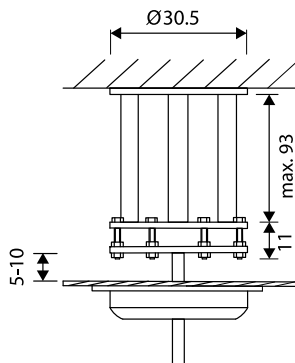
#### Order No.

steel

max. 93 cm,  
28 kg

shortening on request  
as needed


D15.074.000-00632785




# ACCESSORIES



## FASTENING HARDWARE

<b>Roller stand</b>		VISIANO 20, VISIANO 10, HALUX N50 / N30, OPTICLUX 10		
	<b>Material</b>	<b>Specifications</b>		<b>Order No.</b>
	steel	Tube: white Base: plastic Casters: plastic double casters, with 5 brakes	7.5 kg	1 m, Ø 700 mm D15.595.000-00656247
For luminaires with 16 mm pin fastening.				

## OTHER ACCESSORIES

<b>Extension arm</b>		VISIANO 20, VISIANO 10, HALUX N50 / N30, OPTICLUX 10		
	<b>Material</b>	<b>Specifications</b>		<b>Order No.</b>
	powder-coated steel / steel pipe	pure white	approx. 0.65 kg	400 m, Ø 16 mm D13.363.000-00647314
For luminaires with 16 mm pin fastening.				



**Notes**



#### HEADQUARTERS GERMANY

Herbert Waldmann GmbH & Co. KG  
Peter-Henlein-Straße 5  
78056 VILLINGEN-SCHWENNINGEN  
GERMANY  
Telephone +49 7720 601 - 0  
Telephone +49 7720 601 - 100 (Sales)  
Fax +49 7720 601 - 290  
www.waldmann.com  
sales.germany@waldmann.com

#### FRANCE

Waldmann Eclairage S.A.S.  
Zone Industrielle  
Rue de l'Embranchement  
67116 REICHHSTETT  
FRANCE  
Telephone +33 3 88 20 95 88  
Fax +33 3 88 20 95 68  
www.waldmann.com  
info-fr@waldmann.com

#### ITALY

Waldmann Illuminotecnica S.r.l.  
Via della Pace, 18 A  
20098 SAN GIULIANO MILANESE (MI)  
ITALY  
Telephone +39 02 98 24 90 24  
Fax +39 02 98 24 63 78  
www.waldmann.com  
info-it@waldmann.com

#### THE NETHERLANDS

Waldmann B.V.  
Lingewei 19  
4004 LK TIEL  
THE NETHERLANDS  
Telephone +31 344 631019  
Fax +31 344 627856  
www.waldmann.com  
info-nl@waldmann.com

#### AUSTRIA

Waldmann Lichttechnik Ges.m.b.H.  
Gewerbepark Wagram 7  
4061 PASCHING/LINZ  
AUSTRIA  
Telephone +43 7229 67400  
Fax +43 7229 67444  
www.waldmann.com  
info-at@waldmann.com

#### SWEDEN

Waldmann Ljusteknik AB  
Botvid Business Center  
Fågelviksvägen 9  
SE-145 53 Norsborg  
SWEDEN  
Telephone +46 8 990 350  
Fax +46 8 991 609  
www.waldmann.com  
info-se@waldmann.com

#### SWITZERLAND

Waldmann Lichttechnik GmbH  
Benkenstrasse 57  
5024 KÜTTIGEN  
SWITZERLAND  
Telephone +41 62 839 1212  
Fax +41 62 839 1299  
www.waldmann.com  
info-ch@waldmann.com

#### USA

Waldmann Lighting Company  
9 W. Century Drive  
WHEELING, ILLINOIS 60090  
USA  
Telephone +1 847 520 1060  
Fax +1 847 520 1730  
www.waldmannlighting.com  
waldmann@waldmannlighting.com

#### CHINA

Waldmann Lighting (Shanghai) Co., Ltd.  
Part A11a, No. Five Normative Workshop  
199 Changjian Road, Baoshan  
SHANGHAI, P.R.C. 200949  
CHINA  
Telephone +86 21 5169 1799  
Fax +86 21 3385 0032  
www.waldmann.com.cn  
info-cn@waldmann.com

#### SINGAPORE

Waldmann Lighting Singapore Pte. Ltd. 77A  
Neil Road  
SINGAPORE 088903  
SINGAPORE  
Telephone +65 6275 8300  
Fax +65 6275 8377  
www.waldmann.com  
sales-sg@waldmann.com

#### LIST OF REFERENCES

Pictures	Page:
123rf:	14 @ Wavebreak Media Ltd 18 @ dolgachov 19+49 @ Zurijeta 19+60 @ Wavebreak Media Ltd 49 @ Kirill Kedrinski 28 @ Javier Larrea 44 @ Ale Ventura
Alamy:	19 @ Henglein and Steets 36-37 @ Henglein and Steets 38 @ MiguelMalo 40-41 @ Martin Barraud 43 @ Henglein and Steets
Getty Images:	12 @ Monty Rakusen 35 @ francisblack 12 @ Pure Solution 24-25 @ Anna Jurkowska 30 @ MidoSemsem 32 @ New Afrika 56 @ Image Point Fr
Imagesource:	46 @ Wavebreak Media Micro
Istock:	
Shutterstock:	
Adobe	

The illustrations on page 8+40 were used courtesy of:  
© www.sanitized.com  
All other photos and graphics originate from:  
Derungs Licht AG & Waldmann Group  
Produktfotos / product photos:  
Constantin Meyer Photographie, Köln, Germany;  
Jerry Gross, Fotostudio AG, St.Gallen, Switzerland

Kompetenz-Center Pflege & Gesundheit:

#### DERUNGS LICHT AG

Hofmattstrasse 12  
9200 Gossau  
Schweiz  
Telefon +41 71 388 11 66  
Fax +41 71 388 11 77  
www.derungslicht.com  
mailbox@derungslicht.com

Die Derungs Licht AG ist ein  
Unternehmen der Waldmann Group.

